

AQUA FLO[®]

High-Flow Whole House Filtration System

TABLE OF CONTENTS

SYSTEM SPECIFICATIONS	2
OPERATION	3
INSTALLATION	3
MAINTENANCE	3
REPLACEMENT PARTS LIST	4
LIMITED WARRANTY	4



CAUTION

Do not use with water that is microbiologically unsafe or of unknown quality without adequate disinfection before or after the system.

- Please read carefully before proceeding with installation. Your failure to follow any attached instructions or operating parameters may lead to the product's failure. Keep this manual for future reference.
- If you are unsure about installing the Aqua Flo High-Flow Whole House Filtration System, contact your dealer.
- Test the water periodically to verify that the system is performing satisfactorily.
- Discard small parts remaining after the installation.
- Failure to install the system correctly voids the warranty.
- Handle all components of the system with care. Do not drop, drag or turn components upside down.

BRAND: AQUA FLO

MODELS:

160197 High-Flow Dual
Stage 20BB SED,
Carbon, 3/4" In/Out

160198 High-Flow Dual
Stage 20BB SED,
Carbon, 1" In/Out

Canature WaterGroup Canada Inc.

855 Park St.
Regina, SK, S4N 6M1
CANADA
Toll-Free: (877) 288-9888

Canature WaterGroup U.S.A. Inc.

9760 Mayflower Park Drive
Suite 1101
Carmel, IN 46032 USA
Toll-Free: (877) 288-9888

SYSTEM SPECIFICATIONS

Maximum Water Pressure: 85psi (8.6 bar)

Maximum Water Temperature: 100°F (38°C)

Inlet/Outlet Connections:

160197: 3/4" (19.05mm) NPT

160198: 1" (25.4mm) NPT

Maximum Flow Rate: up to 8 gpm

Filter Cartridge Life Span

Cartridges should be changed at least every 6 months or sooner depending on incoming water quality.

Replacement Filters

ITEM #	FREQUENCY	FILTER	DESCRIPTION
36287	6 Months	Sediment	P-PMB-5-20BV, 4.5" X 20", 5 Micron
36091	6 Months	Carbon	P-RF-20BV, 4.5" X 20"

Notice to Installer

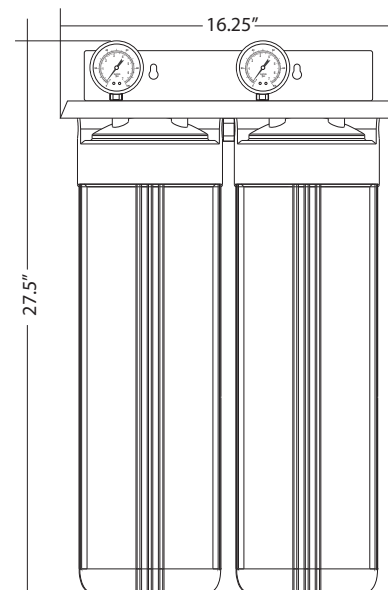
- Do not discard this manual after installation. This manual contains important operation, maintenance and precautionary information. Please present this manual to the user/owner/operator after installation.
- It is strongly suggested that you read this manual before installing the system to ensure the best possible installation.
- Installation must comply with all local and state plumbing codes and regulations.
- Connect the system to cold water supply only. Water temperature cannot exceed 100°F (38°C).
- System must be installed in a vertical, upright, and level position.
- Do not use with water that is microbiologically unsafe or of unknown water quality.
- Notice to user/owner/operator: please retain this manual for a future reference for parts, maintenance, or troubleshooting.
- It is recommended that all personnel responsible for operation and maintenance of this product read the precautions, maintenance, and operations section of this manual.

Installation Precautions

- Do not install system on line pressure above 85psi. If water pressure is over 85psi (8.6 bar), Canature WaterGroup recommends the installation of a pressure regulator.
- Do not install the system on a hot water line. Failure to limit the water temperature to 100°F (38°C) can result in housing failure and property damage.
- Do not connect the system backwards with the feed water line connected to the outlet.
- Do not use liquid pipe thread compounds for threaded connections. Use Teflon® tape only.
- Do not allow the system to freeze. Turn off water supply and drain the system if temperature falls below 32°F (0°C).
- Do not install system in direct sunlight or where the system will be exposed to harsh chemicals or may be subjected to being hit by moving equipment, carts, mops, or any other item that may cause damage.
- Allow 3" (76mm) minimum clearance under the housings for filter replacement.
- If water hammer is evident, install water hammer arrestors before the system.
- Do not overtighten fitting connections.
- Always back off fittings with a wrench when installing fittings to avoid overtightening or loosening existing fittings.
- Do not install the unit behind equipment where it may be difficult to access the system for future filter replacements.

Position the system in a suitable location. The direction of flow through the system is left to right. Keep this in mind when determining installation locations. Do not mount the system near any source of heat. Also, do not mount this system over anything that may be adversely affected by water.

DIMENSIONS



Height: 27.5"
Width: 16.25"
Depth: 8"

OPERATION

With sufficient pressure, this system operates automatically. To ensure it operates dependably, you need to perform periodic filter changes and monitor system pressure differential as outlined in the maintenance instructions.

INSTALLATION

*** Please note: all cartridge filters are pre-installed in the housings at the factory.**

1. Turn off all equipment to be fed by the system. Locate the water supply shutoff valve to your home or RV and turn it off.
2. Thread the inlet and outlet fittings into the inlet and outlet of the system.

NOTICE

DO NOT OVERTIGHTEN THE FITTINGS INTO THE FILTER HEADS.

3. Anchor the system on a wall stud or suitable mounting material spanning wall studs. System must be vertical, upright and level.
4. Run a suitable line of at least 1/2" in diameter from the tap water source to the inlet on the left side of the system.

NOTICE

DO NOT OVERTIGHTEN WATER CONNECTION FITTING INTO THE SYSTEM.

6. Select the appropriate size tubing for the equipment being fed and connect it to the outlet fitting of the system.

NOTICE

DO NOT OVERTIGHTEN CONNECTION FITTING INTO THE SYSTEM.

7. Once all inlet and outlet piping has been completed, check and make sure all filter housings are tight. Slowly open the inlet valve to house or RV and allow the system to reach operating pressure. Check for leaks.
8. Record the startup date for future filter replacements.

NOTICE

Overtightening components can damage the system causing water damage and/or system failure.

MAINTENANCE

Routine maintenance of this system involves periodic filter changes. Cartridges should be changed at least every 6 months or sooner depending on incoming water quality.

Filter Cartridge Replacement Procedure

IMPORTANT: Determine whether all equipment connected to the system must be turned off prior to shutting off water supply from filters

1. If required, turn off downstream equipment.
2. Turn OFF water supply to the system and open faucet to relieve pressure.
3. Starting with the housing on the left, unscrew housing by turning counterclockwise. Remove and discard spent filter and drain water that remains in the bowl. The sediment cartridge must be in the 1st housing on the left where water inlet connects. Continue on to the 2nd housing, the carbon block filter has a rubber gasket on each end.
4. Clean inside of housing sump with warm water. If desired, disinfect housing using a teaspoon of household bleach. Add to filter bowl and fill with water. Let stand 5 minutes and then discard and rinse.
5. Insert new cartridges into filter housings, making sure filters are installed from left to right, sediment filter then carbon block filter.

NOTICE

Do not overtighten filter housing. Overtightening may damage o-ring(s), cause water leaks, or affect system performance.

6. Lubricate o-ring using only a NSF approved silicone grease. Check o-ring for damage and replace if damaged or distorted. Make certain the o-ring is properly positioned and reinstall filter housings. Tighten housings hand tight.
7. Slowly turn on water supply to restore water flow to water system and check for any leaks.

MAINTENANCE (CONTINUED)

REPLACEMENT PARTS

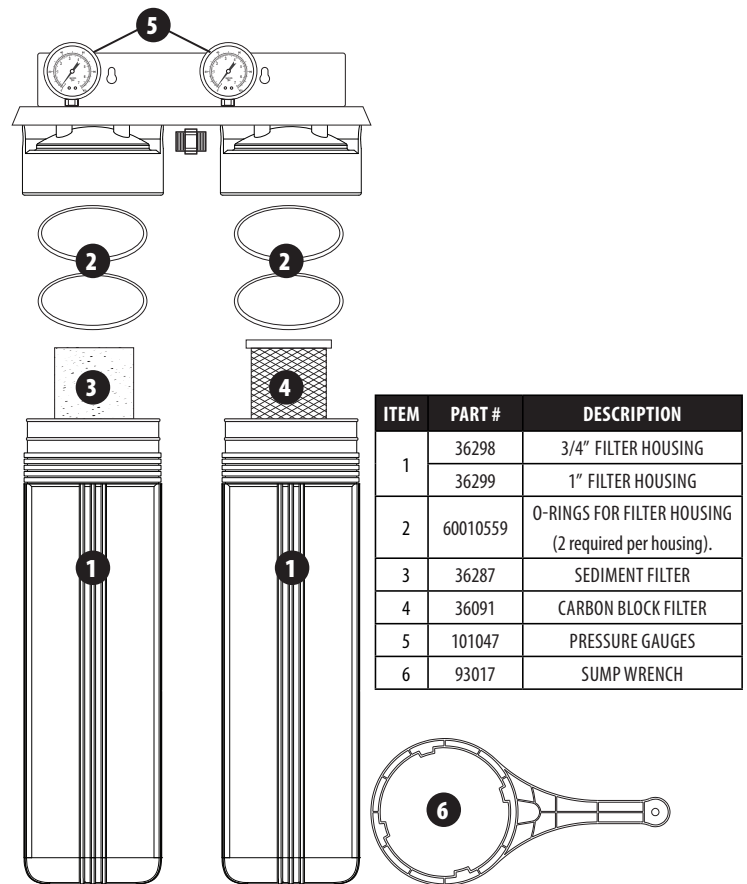
Winter Shut-Down Procedures

The following procedure is recommended if you are winterizing your residence or RV.

NOTICE

IMPORTANT: Filter housings will break if water is left in them in freezing weather conditions.

1. Turn off the water supply to the filter system. If you are draining your fresh water holding tank, this will stop the water supply into the filter system.
2. Drain the water from the system.
3. Remove both filter housings by rotating counterclockwise.
4. Slide out old filters and discard. O-rings should be saved for future use.
5. Filter housing should be left unscrewed from the lids to ensure no cracking due to freezing weather conditions.
6. Follow Filter Cartridge Replacement Procedure when you are ready to use system again.



WARRANTY

Subject to the conditions and limitations described below, Canature WaterGroup™ warrants its AquaFlo® High-Flow Whole House Filtration Systems (excluding cartridge filters), when installed in accordance with Canature WaterGroup™ specifications, to be free from defects in materials and workmanship under normal use within the operating specifications for a period of one (1) year from the date of purchase (with bill of sale). This warranty shall apply to the original enduser of the system only.

Other than the cartridge filters, any part found defective within the terms of this warranty will be repaired or replaced by Canature WaterGroup™. If any part is found defective, Canature WaterGroup™ also reserves the right to replace the water filtration appliance with a comparable Canature WaterGroup™ water filtration system of equal or greater quality. You pay only freight for repaired or replaced parts from our factory.

This warranty shall not apply to any part damaged by accident, fire, flood, freezing, Act of God, bacterial attack, membrane fouling and/or scaling, sediment, misuse, misapplication, neglect, alteration, installation, or operation contrary to our printed instructions, or by the use of accessories or components which do not meet Canature WaterGroup™ specifications. If the drinking water system is altered by anyone other than Canature WaterGroup™ the warranty shall be void.

ALL IMPLIED WARRANTIES, INCLUDING WITHOUT LIMITATION WARRANTIES OF MERCHANTABILITY AND FITNESS FOR PARTICULAR PURPOSE, ARE LIMITED TO THE DURATION OF THE PERIOD SPECIFIED ABOVE FOR THE PARTS DESCRIBED IN THIS LIMITED WARRANTY.

As a manufacturer, we do not know the characteristics of your water supply. The quality of water supplies may vary seasonably or over a period of time. Your water usage may vary as well. Water characteristics can also change if the filtration system is moved to a new location. For these reasons, we assume no liability for the determination of the proper equipment necessary to meet your requirements, and we do not authorize others to assume such obligation for us. Further, we assume no liability and extend no warranties, express or implied, for the use of this product with a non-potable water source.

CANATURE WATERGROUP'S™ OBLIGATIONS UNDER THIS WARRANTY ARE LIMITED TO THE REPAIR OR REPLACEMENT OF THE FAILED PARTS OF THE WATER FILTRATION SYSTEM, AND WE ASSUME NO LIABILITY WHATSOEVER FOR DIRECT, INDIRECT, INCIDENTAL, CONSEQUENTIAL, SPECIAL, GENERAL OR OTHER DAMAGES.



Canature WaterGroup Canada Inc.

855 Park St.
Regina, SK, S4N 6M1
CANADA
Toll-Free: (877) 288-9888

Canature WaterGroup U.S.A. Inc.

9760 Mayflower Park Drive
Suite 1101
Carmel, IN 46032 USA
Toll-Free: (877) 288-9888